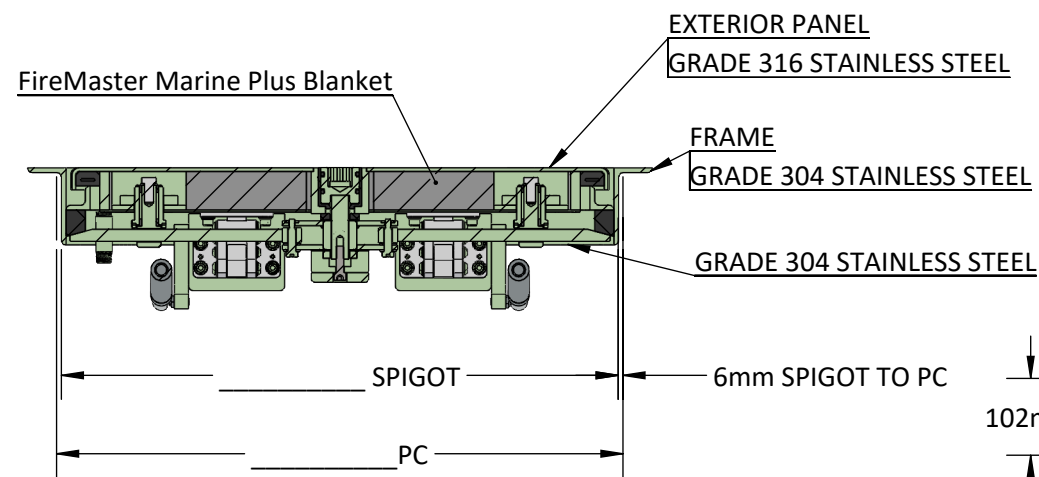
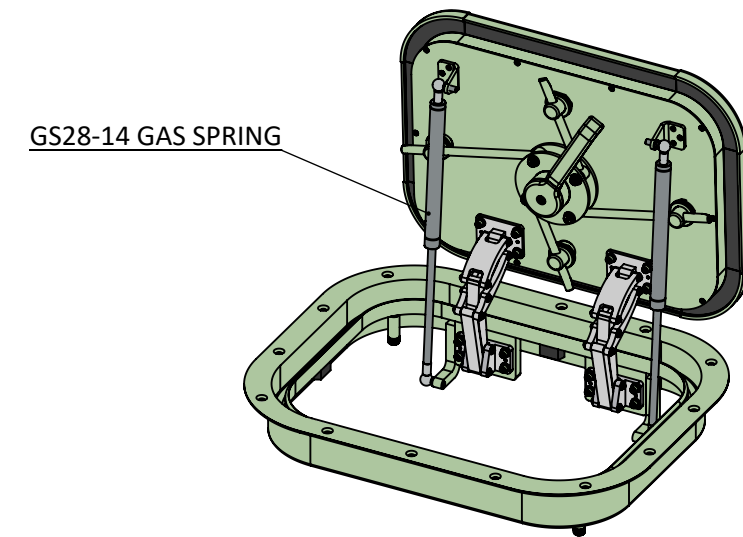
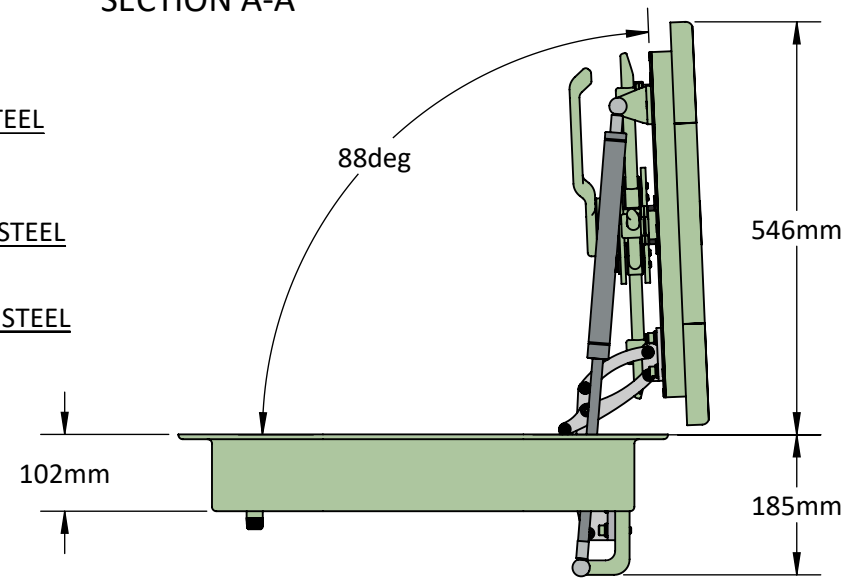


SECTION A-A



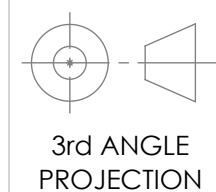
SECTION B-B



NOTES:

1. ABBREVIATIONS/ NOMENCLATURE
 PC: 'PLATE CUT' APPERTURE IN HOST PANEL
 CO: 'CLEAR OPENING' MINIMUM THRU APPERTURE IN GUTTER
 OSM: 'OUTSIDE MEASUREMENT' MAX EXTERNAL DIMENSIONS
2. INTERNALS OMMITED FOR CLARITY
3. INSTALLATION: _____
4. FINISH: _____

This product will be designed and manufactured to the dimensions and notes on this drawing. This drawing supersedes all other documents regardless of any differences between this drawing and any contract specifications. Buyer shall be solely responsible for the product's fitness for Buyer's particular purpose and signed approval of this drawing indicates your agreement that the details and dimensions shown here are correct for your application. Details not explicitly defined on this drawing are at the discretion of FabTek Industries and may be altered if necessary. Please sign and return this PDF version of the drawing. Any CAD version of the drawing have been supplied for reference only.



FabTek Industries, LLC
 6011 199TH ST NE
 ARLINGTON WA 98223
 WWW.FABTEK.COM

DATE	
CUSTOMER	
PROJECT	
DESCRIPTION	
CONTACT	

Drawn by P HENDRICKSON	Date 29JUN18	Checked by D THOMSON	Date 29JUN18
Title MODEL FTHA-21-834 WATERTIGHT STAINLESS STEEL HATCH			
Drawing Number FTHA-21-834		Weight 191.86 lbs	Rev - SHEET 1 OF 1